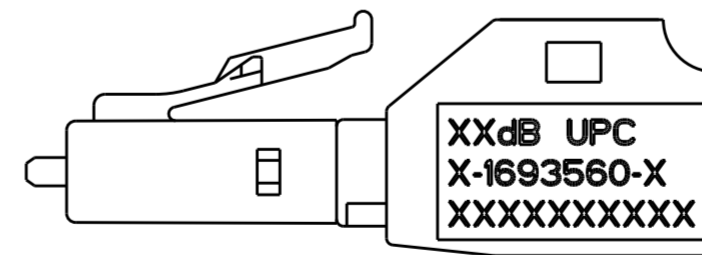
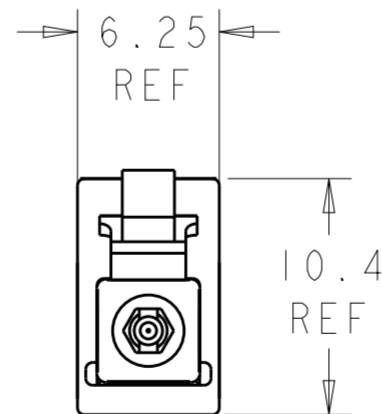
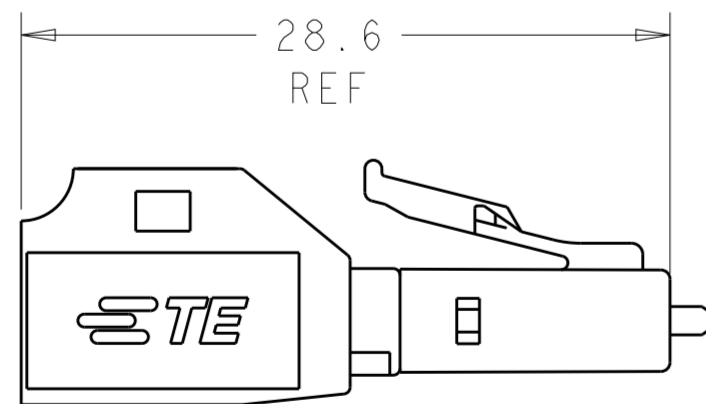
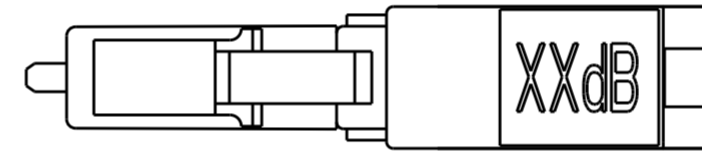
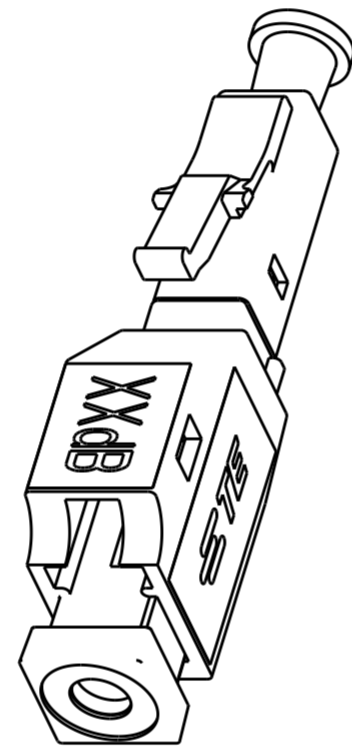
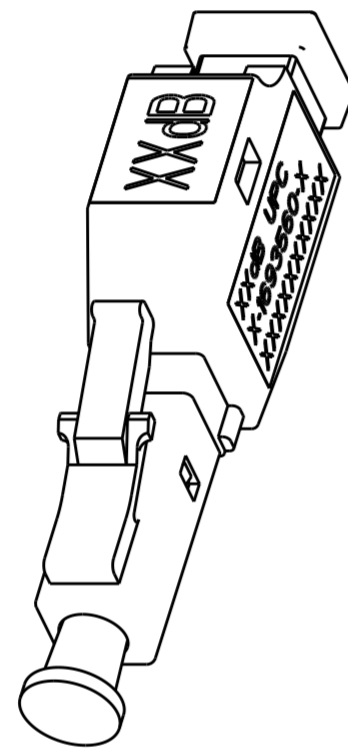


THIS DRAWING IS UNPUBLISHED. RELEASED FOR PUBLICATION 20  
 © COPYRIGHT 20 ALL RIGHTS RESERVED.

LOC	DIST	REVISIONS					
		P	LTR	DESCRIPTION	DATE	DWN	APVD
HG	-		D	REV PER ECR-10-001039	20JAN2010	JZ	RZ
			E	REV PER ECR-11-015981	05SEP2011	LL	CT
			F	UPDATE OPERATING WAVELENGTH 1260-1625nm	21AUG2012	PL	RZ

PERFORMANCE REQUIREMENTS:  
 OPERATING WAVELENGTH: 1260-1625nm  
 REFLECTANCE: AVG. -55dB  
 OPERATING TEMPERATURE: -40°C TO +85°C  
 ATTENUATION TOLERANCE, AMBIENT:  
 FOR 0 dB ATTENUATORS: +0.5dB MAX  
 FOR ATTENUATORS < 5dB: ±0.5dB  
 FOR ATTENUATORS ≥ 5dB: ±10% OF NOMINAL ATTENUATION VALUE  
 MEASURED WITH REFERENCE QUALITY LAUNCH LEADS:  
 - REFLECTANCE: ≤ -60dB  
 - FIBER CORE ECCENTRICITY < 0.3um



NOTES:

⚠ OBSOLETE PARTS: OBSOLETE CIS STREAMLINING PER D.RENAUD/D.SINISI.

20	2-1693560-0	
19	1-1693560-9	
18	1-1693560-8	
17	1-1693560-7	
16	1-1693560-6	
15	1-1693560-5	
14	1-1693560-4	
13	1-1693560-3	
12	1-1693560-2	
11	1-1693560-1	
10	1-1693560-0	
9	1693560-9	
8	1693560-8	
7	1693560-7	
6	1693560-6	
5	1693560-5	
4	1693560-4	
3	1693560-3	
2	1693560-2	
1	1693560-1	
⚠ OBSOLETE	0	<del>1-1693560-0</del>
NOMINAL ATTENUATION VALUE (dB)	PART NUMBER	

THIS DRAWING IS A CONTROLLED DOCUMENT.

DIMENSIONS:	TOLERANCES UNLESS OTHERWISE SPECIFIED:	DWN	01NOV2006
mm	0 PLC ±	CHK	01NOV2006
	1 PLC ±	APVD	01NOV2006
	2 PLC ±	PRODUCT SPEC	108-2221
	3 PLC ±	APPLICATION SPEC	114-1129
	4 PLC ±	WEIGHT	-
MATERIAL	FINISH	CUSTOMER DRAWING	SCALE 3:1

STE TE Connectivity  
 NAME ATTENUATOR, OPTICAL, BUILD OUT, SM, LC/UPC, BROADBAND, BANDPASS  
 SIZE A2 CAGE CODE 00779 DRAWING NO C-1693560 RESTRICTED TO -  
 SHEET 1 OF 1 REV F